

QUARRY TILE

QUARRY TILE OFFERS THE COMBINATION OF LONG WEAR AND HIGH SLIP RESISTANCE PERFECT FOR THE HIGHEST DEMANDING OF ENVIRONMENTS. CRAFT BREWERIES, COMMERCIAL KITCHENS, SCHOOLS, INDUSTRIAL APPLICATIONS, SUPERMARKETS, OR ANYWHERE SLIP RESISTANCE AND DURABILITY ARE A MUST IS WHERE THIS PRODUCT IS FUNDAMENTAL.



creative
materials
corporation

RED NATURAL

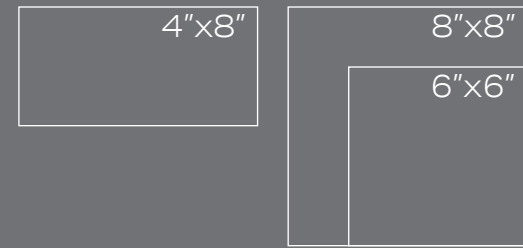


DARK GREY TEXTURED

QUARRY TILE

CERAMIC TILE

SIZES



FINISH

ABRASIVE, MATTE, TEXTURED

THICKNESS

12.7MM

LEAD TIME + LOCATION

1-2 WEEKS | USA

TECHNICAL DATA

SPECIFICATION REFERENCE	TEST METHOD	TEST RESULT
BREAKING STRENGTH	ISO 10545-4	> 800 LBF.
WATER ABSORPTION	ASTM C	3%
ABRASION RESISTANCE	ASTM C1243	< 275 mm ³
DCOF	ANSI A137.1	>0.60

Shade
V2
Variation

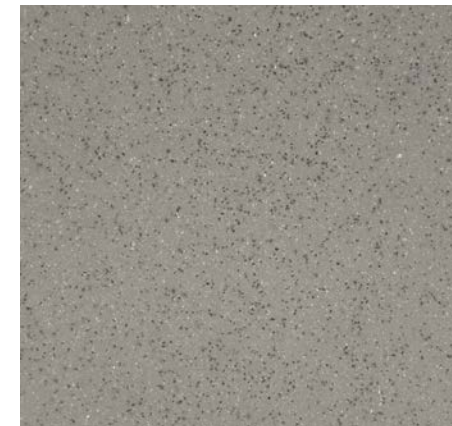
**All technical data was supplied by the manufacturer and is being provided by CMC for informational purposes only. Exact test results should be requested from your CMC contact.



BLACK | MATTE
27% RECYCLED CONTENT
4"x8" - 6"x6" - 8"x8"



DARK GREY | MATTE
28% RECYCLED CONTENT
4"x8" - 6"x6" - 8"x8"



DARK GREY | ABRASIVE
28% RECYCLED CONTENT
4"x8" - 6"x6" - 8"x8"



DARK GREY | TEXTURED
28% RECYCLED CONTENT
6"x6"



TAN | MATTE
29% RECYCLED CONTENT
4"x8" - 6"x6" - 8"x8"



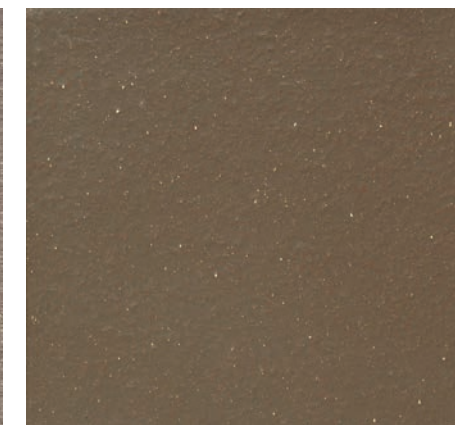
TAN | ABRASIVE
29% RECYCLED CONTENT
6"x6" - 8"x8"



TAN | TEXTURED
29% RECYCLED CONTENT
6"x6"



ASH | MATTE
6"x6" - 8"x8"



BROWN | MATTE
25% RECYCLED CONTENT
4"x8" - 6"x6" - 8"x8"



BROWN | ABRASIVE
25% RECYCLED CONTENT
6"x6" - 8"x8"



RED | MATTE
26% RECYCLED CONTENT
4"x8" - 6"x6" - 8"x8"

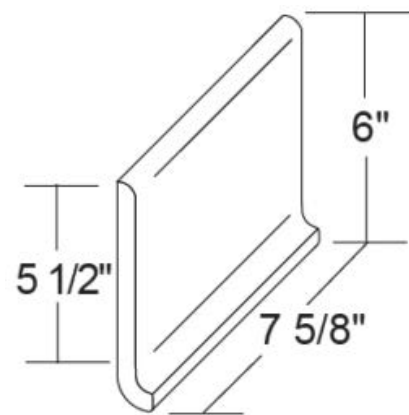


RED | ABRASIVE
26% RECYCLED CONTENT
4"x8" - 6"x6" - 8"x8"

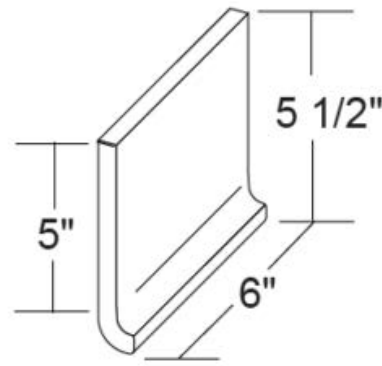


RED | TEXTURED
26% RECYCLED CONTENT
6"x6"

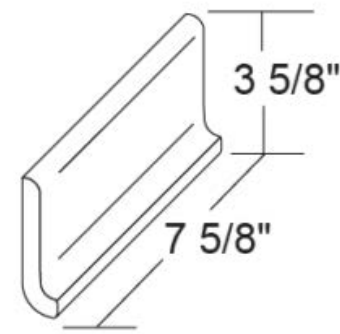
TRIM | COVEBASE



6"x6" ROUND TOP

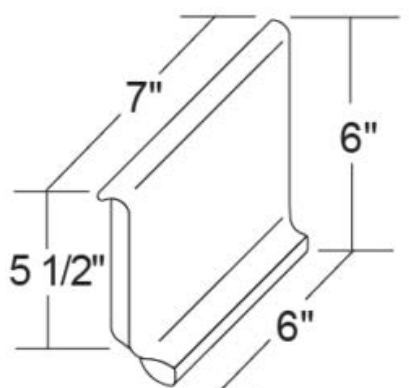


6"x6" FLAT TOP

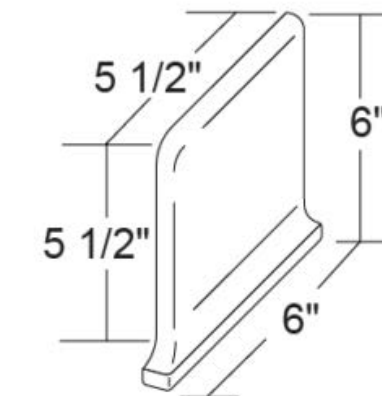


4"x8" ROUND TOP

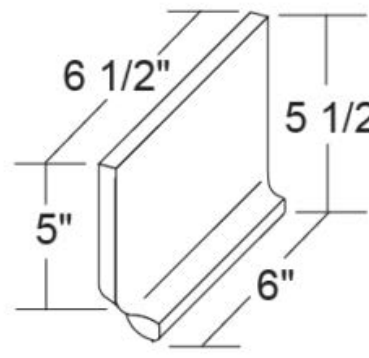
TRIM | COVEBASE CORNERS



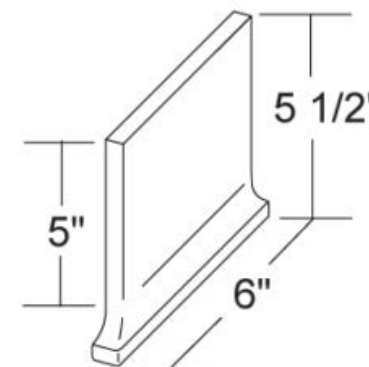
6"x6" ROUND TOP
INSIDE CORNER



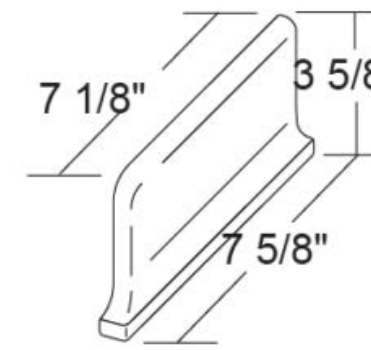
6"x6" ROUND TOP
LEFT OR RIGHT CORNER



6"x6" FLAT TOP
INSIDE CORNER

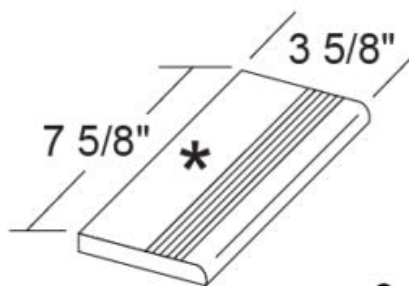



6"x6" FLAT TOP
LEFT OR RIGHT CORNER

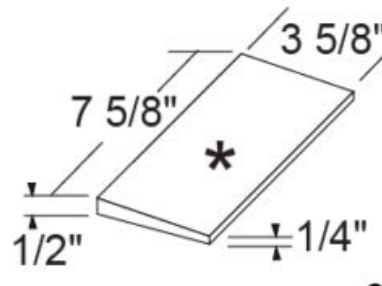


4"x8" ROUND TOP
LEFT OR RIGHT CORNER

TRIM | ADDITIONAL OPTIONS



*BARRIER FREE COMPONENT 
4"x8" GROOVED
STAIRTREAD WITH
BULLNOSE EDGE



*BARRIER FREE COMPONENT 
4"x8" TRANSITION
TILE

