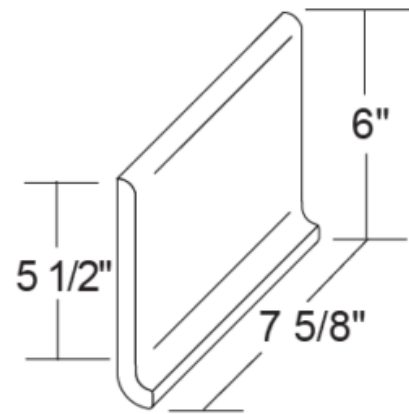
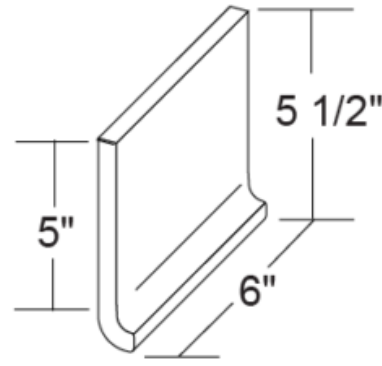


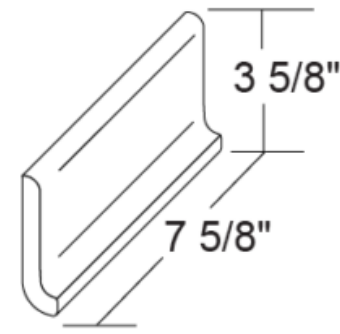
TRIM | COVEBASE



6"x6" ROUND TOP

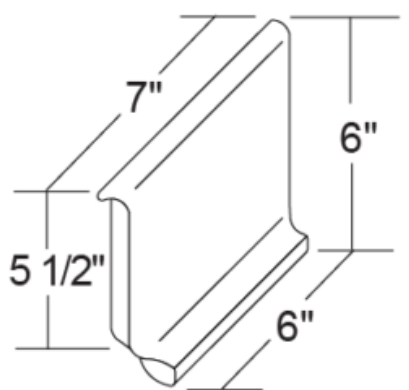


6"x6" FLAT TOP

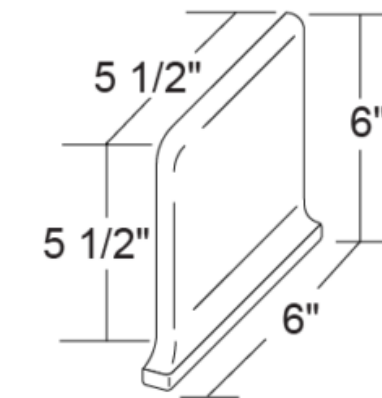


4"x8" ROUND TOP

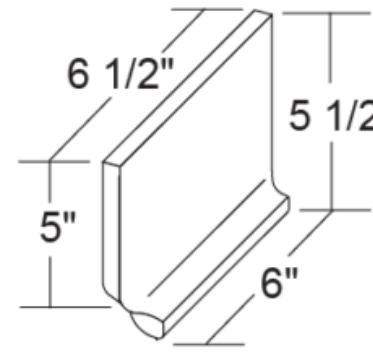
TRIM | COVEBASE CORNERS



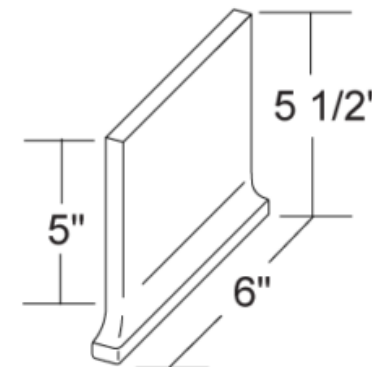
6"x6" ROUND TOP
INSIDE CORNER



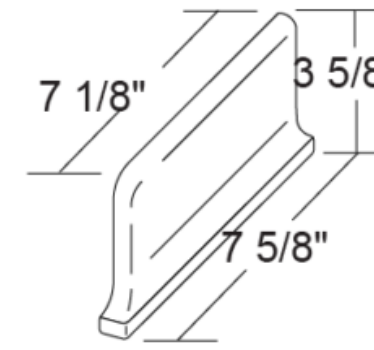
6"x6" ROUND TOP
LEFT OR RIGHT CORNER



6"x6" FLAT TOP
INSIDE CORNER

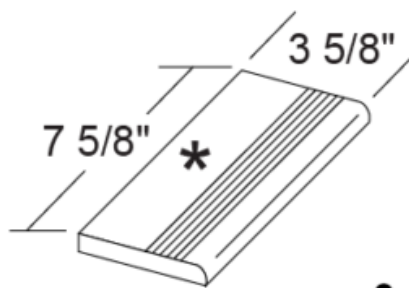



6"x6" FLAT TOP
LEFT OR RIGHT CORNER

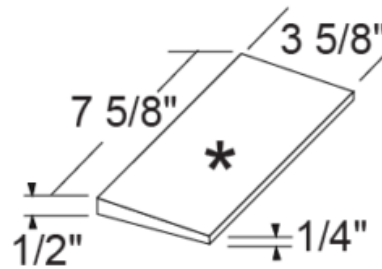


4"x8" ROUND TOP
LEFT OR RIGHT CORNER

TRIM | ADDITIONAL OPTIONS



*BARRIER FREE COMPONENT 
4"x8" GROOVED
STAIRTREAD WITH
BULLNOSE EDGE



*BARRIER FREE COMPONENT 
4"x8" TRANSITION
TILE