



SERIES DESCRIPTION

Use Woodlines to create geometric and three dimensional shapes.

COLORS



Poplar



Pine



Birch



Shorea

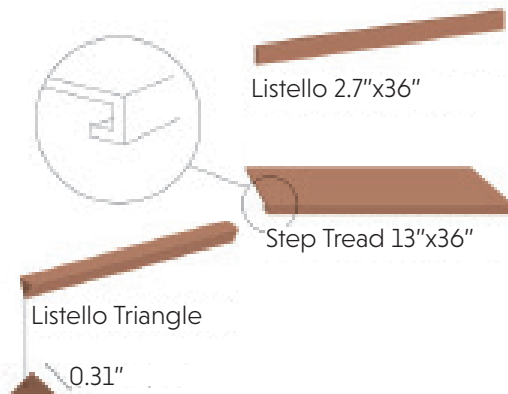
AVAILABLE SIZE

18"x36"

9"x36"

6"x36"

TRIM



TECHNICAL DATA* (does not apply to mosaic options)

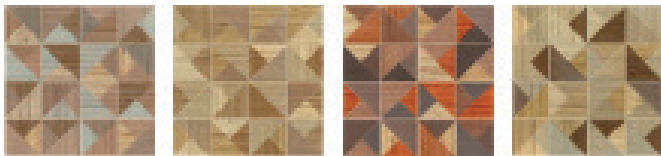
Specification Reference	Test Method	Test Result
Dynamic Coefficient of Friction	ANSI A137.1	> 0.42
Water Absorption	ISO 10545-3	≤ .05%
Breaking Strength	ISO 10545-4	> 35N/mm ²
Abrasion Resistance	ISO 10545-7	4

*All technical data was supplied by the manufacturer and is being provided by CMC for informational purposes only. Exact test results should be requested from your CMC contact.





DECOR | MOSAIC*



Light Blue

Caramel

Orange

Brown



11.6"x11.6"

DECOR | MOSAIC 3D*



Poplar

Pine



Birch

Shorea

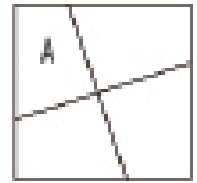
Mosaic 3D: 7.1"x12.2"

DECOR | MODULE A



Poplar

Pine



Module A: 18"x18"



Birch

Shorea

DECOR | LOSANGA A/B



Poplar



Losanga A/B: 6"x31.5"



Pine



Birch



Shorea

* For wall application only